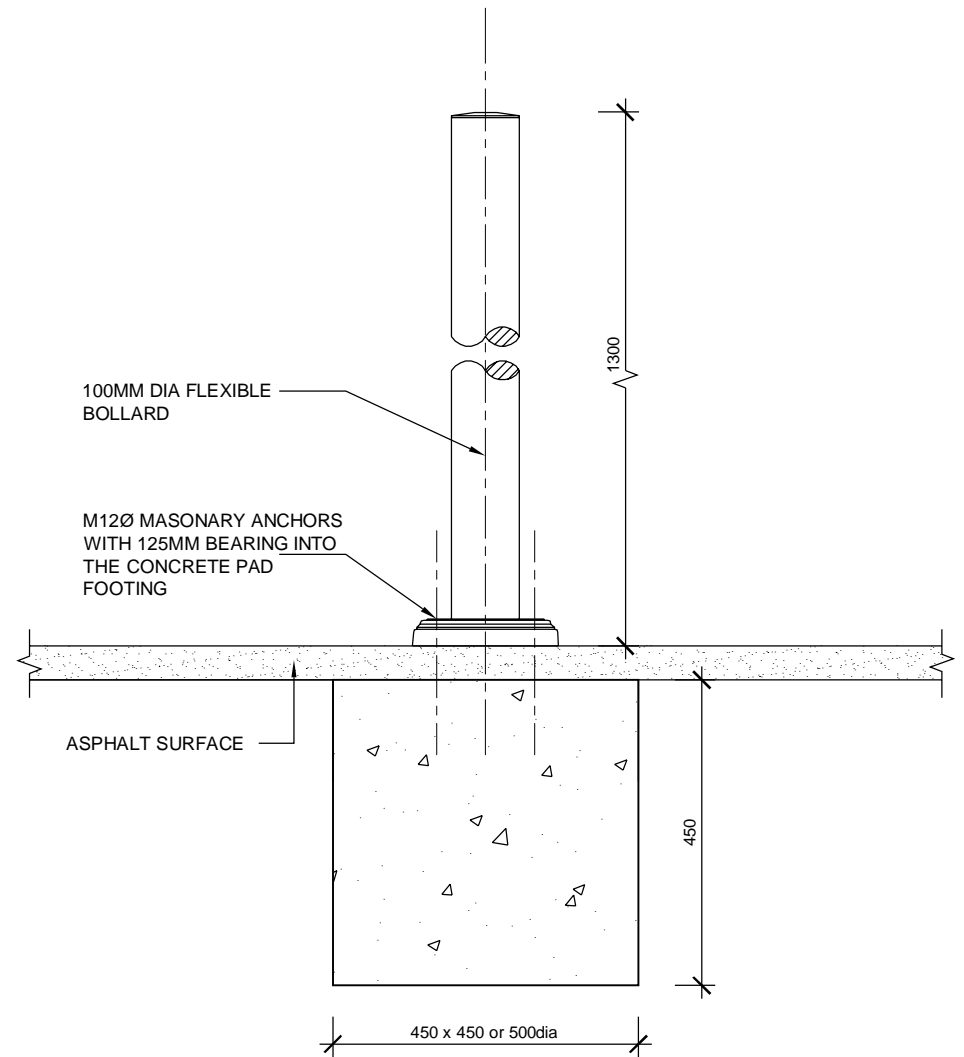


BOLLARD INSTALLATION DETAIL  
CONCRETE SURFACE



BOLLARD INSTALLATION DETAIL  
ASPHALT SURFACE